

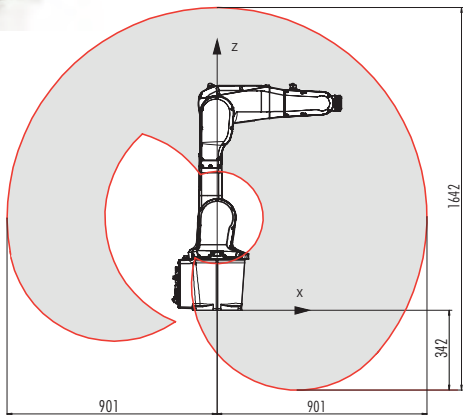


*Technology to Improve Productivity*

## IRB 1200



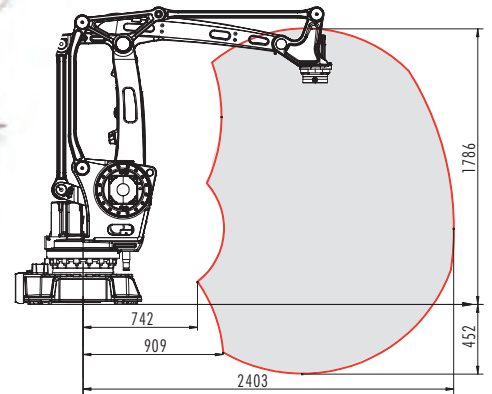
- 6 Controlled Axes
- 11/15 lbs. Payload
- 64/51 in. Vertical Reach
- 35/27 in. Horizontal Reach
- $\pm 0.001$  in. Repeatability



## IRB 460



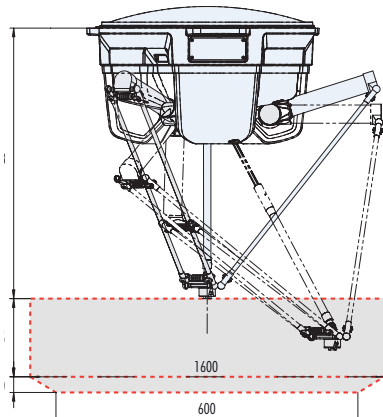
- 4 Controlled Axes
- 242 lbs. Payload
- 88 in. Vertical Reach
- 95 in. Horizontal Reach
- $\pm 0.008$  in. Repeatability



## IRB 360



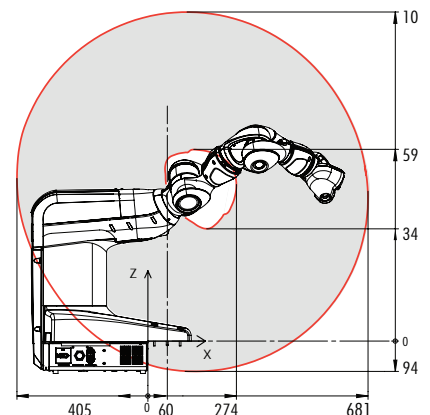
- 4 Controlled Axes
- 2/17 lbs. Payload
- 14 in. Vertical Reach
- 63 in. Horizontal Reach
- $\pm 0.004$  in. Repeatability



## YuMi



- 7 Controlled Axes
- 1 lbs. Payload
- 40 in. Vertical Reach
- 27 in. Horizontal Reach
- $\pm 0.001$  in. Repeatability





## Assembly

**YuMi** harnesses the enormous potential of human-robot collaboration in small parts assembly. YuMi offers manufacturers a transformational new solution, the first dual arm robot purpose-built for the small parts space: inherently safe, extremely accurate.



## FlexPicker

The FlexPicker **IRB 360** can handle payloads of between 1 kg and 8 kg. Each of this robot family's variants is capable of the fastest picking applications and have been optimized for packing applications. The robot has outstanding motion performance with the shortest cycle times, precision accuracy and high payloads.



## FeederBot

The **IRB 1200** excels in situations that require a compact package without sacrificing working range or functionality. Short throw distances between operations make for faster cycle times in as small a cell as possible, meaning you can do more with less.



## Pick.Place.Palletize

**PalletPack 460** is a package of pre-engineered products configured for end-of-line palletizing that greatly improves ease of use and lowers the hurdle for entry into automation. The function package, available for either high-speed bag palletizing or compact end-of-line case palletizing, consists of the IRB 460 palletizing robot, a Flex-Gripper, an ABB PLC, a Jokab Safety PLC, support software, user documentation and a FlexPendant that features a graphical HMI.

## Industrial Robot Controller

**IRCS** is the robotic industry's benchmark in robot controller technology. In addition to ABB's unique motion control, it brings flexibility, safety, modularity, application interfaces, multi-robot control and PC tool support. Electronic position switches and SafeMove™ represent a new generation of safety, enabling more flexible robotic cell safety concepts, e.g. enabling floor space reduction and collaboration between robot and humans. Based on advanced dynamic modelling, the IRC5 automatically optimizes the performance of the robot by reducing cycle times and providing precise path accuracy.



Chicago Electric is a world-class system integrator offering leading technology, comprehensive capability and extensive experience to improve productivity.

**ABB** ROBOTICS VALUE PROVIDER



**COGNEX** PARTNER SYSTEM INTEGRATOR



**Rockwell Automation** RECOGNIZED SYSTEM INTEGRATOR



ChicagoElectric.com

Chicago Electric, founded in 1910, is a leader in the application of technology for industry. Still family owned, we are proud of our long heritage of quality workmanship and outstanding customer service.

